

page width:  
68.58 mm  
(2.7 in.)

page width:  
68.58 mm  
(2.7 in.)

page width:  
68.58 mm  
(2.7 in.)

page width:  
68.58 mm  
(2.7 in.)

page width:  
68.58 mm  
(2.7 in.)

page width:  
68.58 mm  
(2.7 in.)





# HSWC3 Bathroom Condensation Control with Light Control

## ENGLISH LANGUAGE MANUAL

800-223-4185  
1.877.BY.LEGRAND  
www.legrand.us  
www.legrand.ca  
341176

### COLORS:

-  (c)0 (m)0 (y)0 (k)100  
Black
-  (c)0 (m)0 (y)0 (k)0  
White

Paper Thickness: 0.06 mm

Description: HSWC3 manual, English, front  
Revision Date: 6-3-2016

THIS ARTWORK IS THE PROPERTY OF GTR TECHNOLOGIES, INC. AND TRANSMITTED IN CONFIDENCE. THE REPRODUCTION, USE, OR DISCLOSURE, IN WHOLE OR IN PART, OF THE DESIGN AND DETAILS CONTAINED HEREIN IS PROHIBITED WITHOUT THE WRITTEN PERMISSION OF GTR TECHNOLOGIES, INC.

Made Using Adobe Illustrator CC

### (A.) ABOUT DewStop®

DewStop is intended for condensation problem areas of a home, such as near the shower or bath. If condensation is a problem or is suspected to be a problem, simply replace your existing fan switch with DewStop. For DewStop to sense condensation, the room will need to show visible signs of wetness attaching to surfaces, such as steam on walls / mirrors / fixtures. Visible steam in the air is not the problem, the problem occurs when moisture in the air becomes too heavy and the air cannot support the moisture. The moisture then moves to surfaces (this is the dew point), triggering the DewStop sensors. The remarkable DewStop product is constantly checking the air for condensation. At the right time, DewStop will turn ON your fan and run the fan to clear the room. NOTE: A good quality fan properly sized for the room is essential to the successful removal of moisture from any room. DewStop only detects condensation, it cannot stop it. DewStop relies on a closed room and a quality fan to properly detect condensation and dry a room.

### (B.) INSTALLATION INSTRUCTIONS

#### CAUTION

1. Use only a 120V AC 60Hz power supply connection.
2. For indoor use only.
3. Do not exceed DewStop's maximum electrical load ratings, as indicated on the product label.
4. Must be installed and used in accordance with your local electrical codes.
5. If a bare copper or green ground connection is not available in the wall box, contact a licensed electrician for installation.

1

6. For use with permanently installed 120V AC powered fans only.
7. Use only #14 or #12 copper wire connections.

#### WARNING

Turn OFF circuit breaker or remove fuse(s) and test that power is OFF before wiring. Wiring DewStop live can cause serious risk of electrical shock and/or damage the control, voiding the warranty. FOR SAFETY, THIS PRODUCT MUST BE INSTALLED IN A GROUNDED WALL ENCLOSURE. If you are unfamiliar with methods of installing electrical wiring, secure the services of a qualified licensed electrician. USE ONLY COPPER WIRE, DO NOT use aluminum wire with this device.

#### IMPORTANT

Read each step carefully and perform in sequence. DewStop will not work or will become damaged if wires are connected incorrectly. To prevent damage, connect DewStop exactly as shown in the installation diagrams, otherwise warranty will be voided. Prior to wiring, straighten or clip ends of wire such that ends of each wire are straight (if using DewStop to replace an existing switch). Strip wire insulation at the end of each wire to expose 5/8 inch (16 mm) of copper. Where instructed to make a connection, twist ends of stripped wires together and twist a proper connector clockwise until secure.

2

### (C.) INSTALLATION STEPS

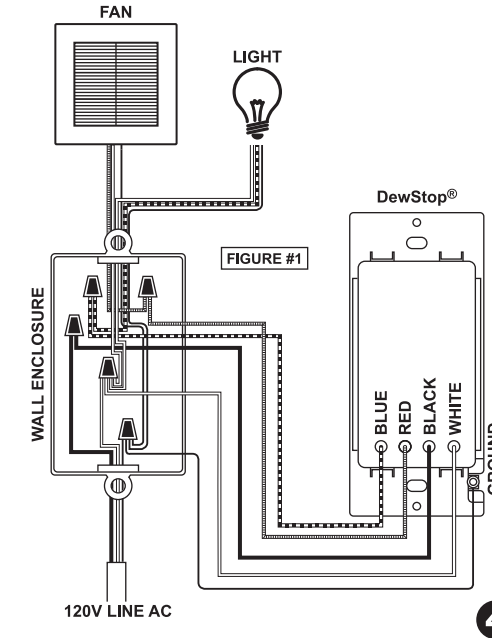
1. WARNING  
To avoid fire or risk of electrical shock, turn OFF power at circuit breaker or disconnect fuse. Test the power is OFF before you begin wiring.
2. BEFORE YOU MOUNT THE CONTROL (new installation) Install DewStop in a 3½ inch deep single-gang or multi-gang electrical wall enclosure. OR (replacement of existing switch) remove existing wall plate and switch device being replaced.
3. ATTACH POWER WIRE, LIGHT WIRE, AND FAN WIRE  
Attach 120V AC 60Hz 3-wire power (Hot / Neutral / Ground) inside the wall enclosure with a minimum of 6 inch leads. Attach fan three wire leads inside the wall enclosure also with minimum 6 inch leads. If an existing power connection is used in an existing wall enclosure you must confirm proper AC 120V Hot / Neutral / Ground are available.
4. CONNECT WIRING  
General instructions for all configurations: Make sure the wall enclosure, fan, light, and DewStop are properly grounded. (See FIGURE #1).

Make sure ground wire is securely fastened. Tighten all ground screws or wire nuts securely. Use the proper sized wire nut for #14 or #12 wire. Make sure to strip back the copper wire 5/8 inch and twist wire and nut clockwise.

3

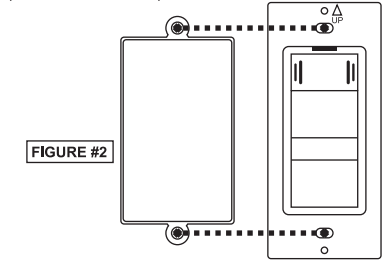
### (D.) MOUNTING IN WALL ENCLOSURE

1. Attach wires (as shown in FIGURE #1).

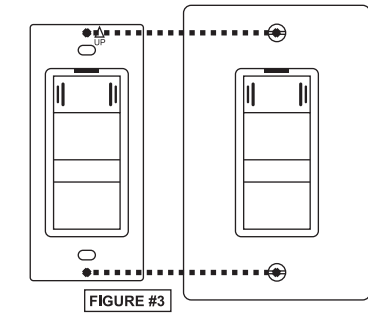


4

2. Tuck wires into wall enclosure and fasten DewStop to the wall enclosure with the two screws provided (See FIGURE #2).

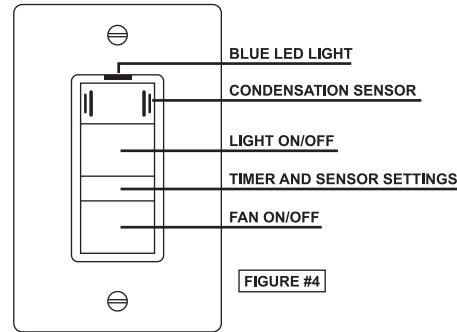


3. Attach the wall plate (See FIGURE #3).



5

**(E.) CONTROL FUNCTIONS**

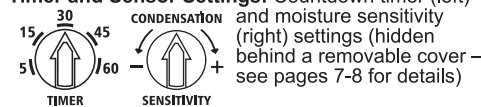


**Blue LED Light:** Lets you know when your fan is on (especially useful for fans with low sound levels).

**Condensation Sensor:** Senses moisture in the room and turns your fan ON and OFF automatically.

**Light ON/OFF:** Turns light ON and OFF.

**Timer and Sensor Settings:** Countdown timer (left) and moisture sensitivity (right) settings (hidden behind a removable cover – see pages 7-8 for details)

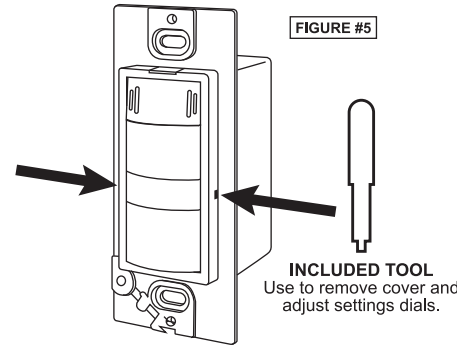


**Fan ON/OFF:** Turns countdown timer ON and OFF (can be used to temporarily override condensation sensor).

6

**(F.) CHANGING THE SETTINGS**

By default, DewStop comes with the moisture sensitivity set to average levels, and the countdown timer set to 30 minutes. To change the settings, remove the "Timer and Sensor Settings" cover by taking off the face plate and then inserting the end of the included tool (or a **non-metal** tool of your own) into the two holes on either side of the control (see FIGURE #5). Use the included tool to turn the settings dials. The countdown timer can be set between 5–60 minutes. Moisture sensitivity can be set at low, average, or high sensitivity. Once you change a setting, the changes will take effect after the next ON/OFF cycle, so it's recommended that you turn your fan ON then OFF after you make a change to the settings.



7

**(G.) MANUAL ON/OFF**

Press the "Fan ON/OFF" button once to manually turn fan ON, and again to turn fan OFF.

**(H.) COUNTDOWN TIMER**

When the fan is turned ON manually, the countdown timer will run your fan for your selected period of time, then turn your fan OFF.

**(I.) MOISTURE SENSITIVITY**

The minus sign is low moisture sensitivity and the plus sign is high sensitivity; the dial can be set anywhere in between. In a very moist environment, lower sensitivity may be needed to avoid excessive fan run-time. In a very dry environment, higher sensitivity may be needed for the sensor to detect moisture. When DewStop senses condensation, the blue LED will pulse slowly.

**Setting Sensitivity:** Rotate the sensitivity dial arrow slowly all the way to the right. DewStop will turn ON and the LED will blink slowly. Now rotate the dial very slowly to the left until the LED stops blinking. This is your room's condensation level. Next rotate the dial left another 1/16 inch. This is your best setting. If you feel this setting is too slow turning on your fan, rotate the dial another 1/16 inch to the right. If you feel this setting is too fast turning on your fan, rotate the dial another 1/16 inch to the left.

8

**(J.) TESTING DewStop®**

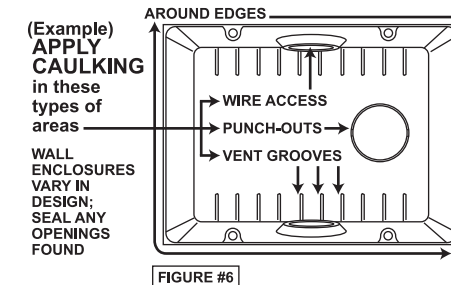
- After you have completely installed DewStop, selected your timer and sensor settings, and attached the wall plate on the control, you can turn on the breaker to apply power.  
**WARNING:** If the breaker trips or the fuse blows, STOP and call a qualified electrician to investigate the problem. Turn the breaker OFF until the problem has been corrected.
- Press the Fan ON/OFF button to see the fan turn ON, press the button again to see the fan turn OFF. Do the same for the Light ON/OFF button.
- With the fan OFF, you can test the sensor by blowing into the sensor as if you were blowing on a mirror to steam it. Use three puffs of breath and the fan will come ON automatically. The blue LED will pulse slowly; this shows you DewStop is sensing condensation.
- Sensor Shut-Off: To turn off the sensor and make DewStop just a manually activated adjustable timer, hold down the fan ON/OFF button for 15 seconds. To turn the sensor back on, do so again.

**ELECTRICAL SHOCK WARNING:** DewStop is an automatic ON device. At no time should a person work on the fan/light or any DewStop connected appliance without the electrical circuit breaker or fuse switched OFF. DewStop could turn ON the attached device by the unintended presence of condensation while the work is being performed. Always disconnect the AC power before any work is done to any part of the circuit DewStop is connected to. If you do not understand this warning, seek the services of a qualified licensed electrician.

9

**(K.) AIR DRAFTS IN WALL ENCLOSURE**

Older homes may experience air flowing (drafts) from the inside wall cavity into or out of the wall enclosure depending on the draft situation. If your DewStop is experiencing problems sensing condensation, sealing any enclosure openings is needed. The wall enclosure is easy to seal with standard painter's caulking and a caulking gun. To begin you must DISCONNECT all electrical power to the control before sealing the openings. Unscrew all box switches and pull them forward to allow access to the back of the enclosure. Apply caulking into all openings in the enclosure, even the very small ones. Seal every opening and around electrical wires at their entering point. Also seal the perimeter around the enclosure between the wall board and the enclosure. This will stop heat loss and allow DewStop to sense the room and not the drafts in the walls. See FIGURE #6:



10

**(L.) LIMITED ONE YEAR WARRANTY**

Pass & Seymour will remedy any defect in workmanship or material in Pass & Seymour products which may develop under proper and normal use within one year from date of purchase by a consumer:

(1) by repair or replacement, or, at Pass & Seymour's option, (2) by return of an amount equal to consumer's purchase price. Such remedy is IN LIEU OF ANY AND ALL EXPRESSED OR IMPLIED WARRANTIES OF MERCHANTABILITY OR FITNESS FOR A PARTICULAR PURPOSE. Such remedy by Pass & Seymour does not include or cover cost of labor for removal or reinstallation of the product. ALL OTHER FURTHER ELEMENTS OF DAMAGE (INCIDENTAL OR CONSEQUENTIAL DAMAGES) FOR BREACH OF ANY AND ALL EXPRESSED OR IMPLIED WARRANTIES INCLUDING WARRANTIES OF MERCHANTABILITY OR FITNESS FOR A PARTICULAR PURPOSE ARE EXCLUDED HEREBY. (Some states do not allow disclaimers or exclusion or limitation of incidental or consequential damages, so the above disclaimer and limitation or exclusion may not apply to you.) ANY IMPLIED WARRANTIES INCLUDING WHERE REQUIRED WARRANTIES OF MERCHANTABILITY OR FITNESS FOR A PARTICULAR PURPOSE SHALL BE LIMITED TO THE ONE YEAR PERIOD SET FORTH ABOVE. (Some states do not allow limitations on how long an implied warranty lasts, so the above limitation may not apply to you.)

To insure safety, all repairs to Pass & Seymour products must be made by Pass & Seymour, or under its specific direction. Procedure to obtain performance of any warranty obligation is as follows: (1) Contact Pass & Seymour, Syracuse, New York 13221, for instructions concerning return or repair; (2) return the product to Pass & Seymour, postage paid, with your name and address and a written description of the installation or use of the Pass & Seymour product, and the observed defects or failure to operate, or other claimed basis for dissatisfaction.

This warranty gives you specific legal rights and you may also have other rights which vary from state to state.

11

**COLORS:**

- (c)0 (m)0 (y)0 (k)100 Black
- (c)0 (m)0 (y)0 (k)0 White

Paper Thickness: 0.06 mm

Description: HSWC3 manual, English, reverse  
Revision Date: 6-3-2016

THIS ARTWORK IS THE PROPERTY OF GTR TECHNOLOGIES, INC. AND TRANSMITTED IN CONFIDENCE, THE REPRODUCTION, USE, OR DISCLOSURE, IN WHOLE OR IN PART, OF THE DESIGN AND DETAILS CONTAINED HEREIN IS PROHIBITED WITHOUT THE WRITTEN PERMISSION OF GTR TECHNOLOGIES, INC.

Made Using Adobe Illustrator CC