

page width:
68.58 mm
(2.7 in.)

page width:
68.58 mm
(2.7 in.)

page width:
68.58 mm
(2.7 in.)

page width:
68.58 mm
(2.7 in.)

page width:
68.58 mm
(2.7 in.)

page width:
68.58 mm
(2.7 in.)

ADJUSTABLE FAN TIMER

FS-850
FS-3850
Bath Fan Timer Control

ENGLISH
LANGUAGE
MANUAL

from
DewStop[®]
Go To Research
Technologies, Inc.
Seattle, WA, USA

(A.) ABOUT

This timer is designed to give you all the options, all the control you need, to make sure your bathroom, laundry room, sun room, or spa room gets all the ventilation it should have. It's really two timers in one: A countdown timer and a fresh home / Minutes Per Hour (MPH) timer – and, best of all, the two timers work together. The countdown timer can be set anywhere from 5 to 60 minutes, and it activates any time you manually turn the fan on. The MPH timer can be set to anywhere from 0 to 60 minutes, and it runs your fan for a set time every hour to expel stale air and help you maintain good indoor air quality (just the thing for complying with local indoor air quality standards, such as ASHRAE 62.2). The MPH timer also sees when you've used the countdown timer and knows not to run the fan for a while if you've already done it. If you want to manually shut the fan off when the MPH timer is running, you can do that too, just by pressing the fan on/off button.

(B.) INSTALLATION INSTRUCTIONS

CAUTION

1. Use only a 120V AC 60Hz power supply connection.
2. For dry contact switching, a 24V AC connection can be used (note: 24V AC input will result in 24V AC output). [available with FS-3850 model only]
3. For indoor use only.
4. Do not exceed this control's maximum electrical load ratings, as indicated on the product label.
5. Must be installed and used in accordance with your local electrical codes.
6. If a bare copper or green ground connection is not available in the wall box, contact a licensed electrician for installation.

1

7. For use with permanently installed 120V AC powered fans only.
8. Use only #14 or #12 copper wire connections.

WARNING

Turn OFF circuit breaker or remove fuse(s) and test that power is OFF before wiring. Wiring this control live can cause serious risk of electrical shock and/or damage the control, voiding the warranty. FOR SAFETY, THIS PRODUCT MUST BE INSTALLED IN A GROUNDED WALL ENCLOSURE. If you are unfamiliar with methods of installing electrical wiring, secure the services of a qualified licensed electrician. USE ONLY COPPER WIRE, DO NOT use aluminum wire with this device.

IMPORTANT

Read each step carefully and perform in sequence. This control will not work or will become damaged if wires are connected incorrectly. To prevent damage, connect this control exactly as shown in the installation diagrams, otherwise warranty will be voided. Prior to wiring, straighten or clip ends of wire such that ends of each wire are straight (if using this control to replace an existing switch). Strip wire insulation at the end of each wire to expose 5/8 inch (16 mm) of copper. Where instructed to make a connection, twist ends of stripped wires together and twist a proper connector clockwise until secure.

2

(C.) INSTALLATION STEPS

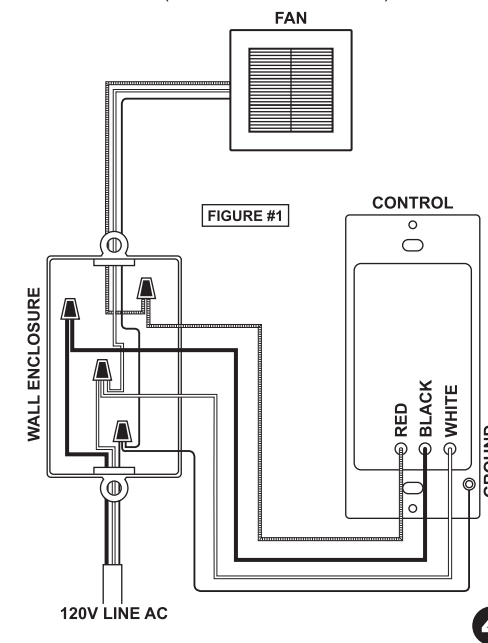
1. WARNING
To avoid fire or risk of electrical shock, turn OFF power at circuit breaker or disconnect fuse. Test the power is OFF before you begin wiring.
2. BEFORE YOU MOUNT THE CONTROL
(new installation) Install control in a 3½ inch deep single-gang or multi-gang electrical wall enclosure. OR (replacement of existing switch) remove existing wall plate and switch device being replaced.
3. ATTACH POWER WIRE AND FAN WIRE
Attach 120V AC 60Hz 3-wire power (Hot / Neutral / Ground) inside the wall enclosure with a minimum of 6 inch leads. Attach fan three wire leads inside the wall enclosure also with minimum 6 inch leads. If an existing power connection is used in an existing wall enclosure you must confirm proper AC 120V Hot / Neutral / Ground are available.
4. For dry contact switching, a 24V AC connection can be used (note: 24V AC input will result in 24V AC output). [available with FS-3850 model only]
5. CONNECT WIRING
General instructions for all configurations:
Make sure the wall enclosure, fan, and control are properly grounded (See FIGURE #1).

Make sure ground wire is securely fastened. Tighten all ground screws or wire nuts securely. Use the proper sized wire nut for #14 or #12 wire. Make sure to strip back the copper wire 5/8 inch and twist wire and nut clockwise.

3

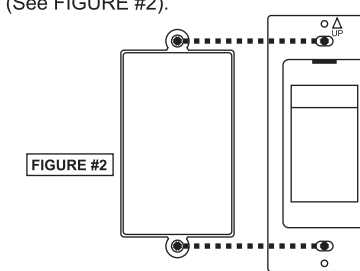
(D.) MOUNTING IN WALL ENCLOSURE

1. Attach wires (as shown in FIGURE #1).

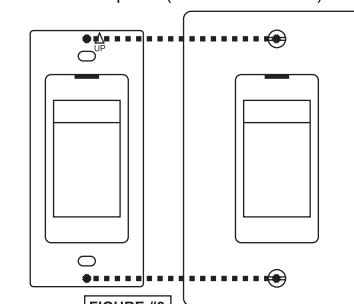


4

2. Tuck wires into wall enclosure and fasten control to the wall enclosure with the two screws provided (See FIGURE #2).



3. Attach the wall plate (See FIGURE #3).



5

COLORS:

- (c)0 (m)0 (y)0 (k)100
Black
- (c)0 (m)0 (y)0 (k)0
White

Paper Thickness: 0.06 mm

Description: FS-850 FS-3850 manual, English, front

Revision Date: 5-1-2014

THIS ARTWORK IS THE PROPERTY OF GTR TECHNOLOGIES, INC. AND TRANSMITTED IN CONFIDENCE, THE REPRODUCTION, USE, OR DISCLOSURE, IN WHOLE OR IN PART, OF THE DESIGN AND DETAILS CONTAINED HEREIN IS PROHIBITED WITHOUT THE WRITTEN PERMISSION OF GTR TECHNOLOGIES, INC.

Made Using Adobe Illustrator CS v11.0.0
(some boundary guides not visible in Acrobat Reader)

page
height:
96.52 mm
(3.8 in.)