

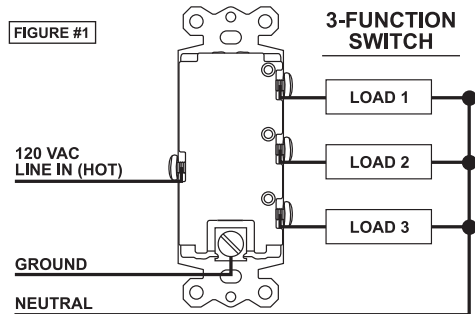
page width:
68.58 mm
(2.7 in.)

For 2-function units: Connect wires per either the FIGURE #2 wiring diagram (two single pole switches on the same circuit) or the FIGURE #3 wiring diagram (two single pole switches on separate circuits). With either method, each single pole switch controls an independent function.

NOTE: For separate feed (FIGURE #3) operation only: The break-off tab located between the black screws should be removed before wiring. Using a standard slotted screwdriver, move the screwdriver up and down in the vertical direction until the tab breaks off.

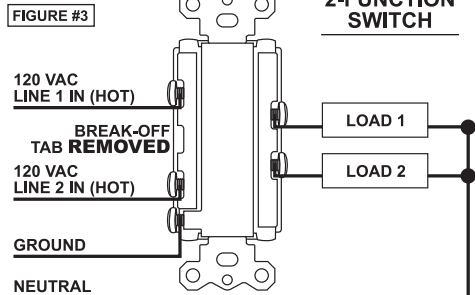
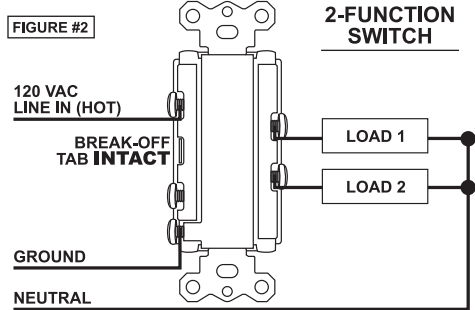
5. ATTACH SWITCH PLATE

Fasten the switch plate to the rocker switch using the short matching color screws.



3

page width:
68.58 mm
(2.7 in.)



4



page width:
68.58 mm
(2.7 in.)

(C.) TWO-YEAR LIMITED WARRANTY

Go To Research Technologies, Inc. (GTR) warrants to the original consumer purchaser of its products that such products will be free from defects in materials & workmanship for a period of two years from the date of original purchase. There are no other warranties, express or implied, including but not limited to, implied warranties of merchantability or fitness for a particular purpose. During this two-year period, GTR will, at its option, repair or replace, without charge, any product or part which is found to be defective under normal use & service. This warranty does not extend to fluorescent lamp starters & tubes. This warranty does not cover (a) normal maintenance & service or (b) any maintenance or repair, faulty installation or installation contrary to recommended installation instructions. The duration of any implied warranty is limited to the two-year period as specified for the express warranty. Some areas do not allow limitation on how long an implied warranty lasts, so the above limitation may not apply to you. GTR's obligation to repair or replace, at GTR's option, shall be the purchaser's sole & exclusive remedy under this warranty. GTR shall not be liable for incidental, consequential, or special damages arising out of or in connection with product use or performance. Some areas do not allow the exclusion or limitation of incidental or consequential damages, so the above limitation may not apply to you. This warranty gives you specific legal rights, & you may also have other rights, which vary from area to area. This warranty supersedes all prior warranties. To qualify for warranty service, you must (a) notify GTR at the address stated below or via our website at www.DewStop.com, (b) give the model number & part number identification, & (c) describe the nature or any defect in the product or part. At the time of requesting warranty service, you must present evidence of the original purchase date.

Go To Research Technologies, Inc.
www.DewStop.com

5

COLORS:
 (c)0 (m)0 (y)0 (k)100
 Black
 (c)0 (m)0 (y)0 (k)0
 White

Paper Thickness: 0.06 mm

Description: Combination Fan Switch manual | English | reverse

Revision Date: 5-1-2014

THIS ARTWORK IS THE PROPERTY OF GTR TECHNOLOGIES, INC. AND TRANSMITTED IN CONFIDENCE. THE REPRODUCTION, USE, OR DISCLOSURE, IN WHOLE OR IN PART, OF THE DESIGN AND DETAILS CONTAINED HEREIN IS PROHIBITED WITHOUT THE WRITTEN PERMISSION OF GTR TECHNOLOGIES, INC.

Made Using Adobe Illustrator CS v11.0.0
(some boundary guides not visible in Acrobat Reader)

page
height:
96.52 mm
(3.8 in.)