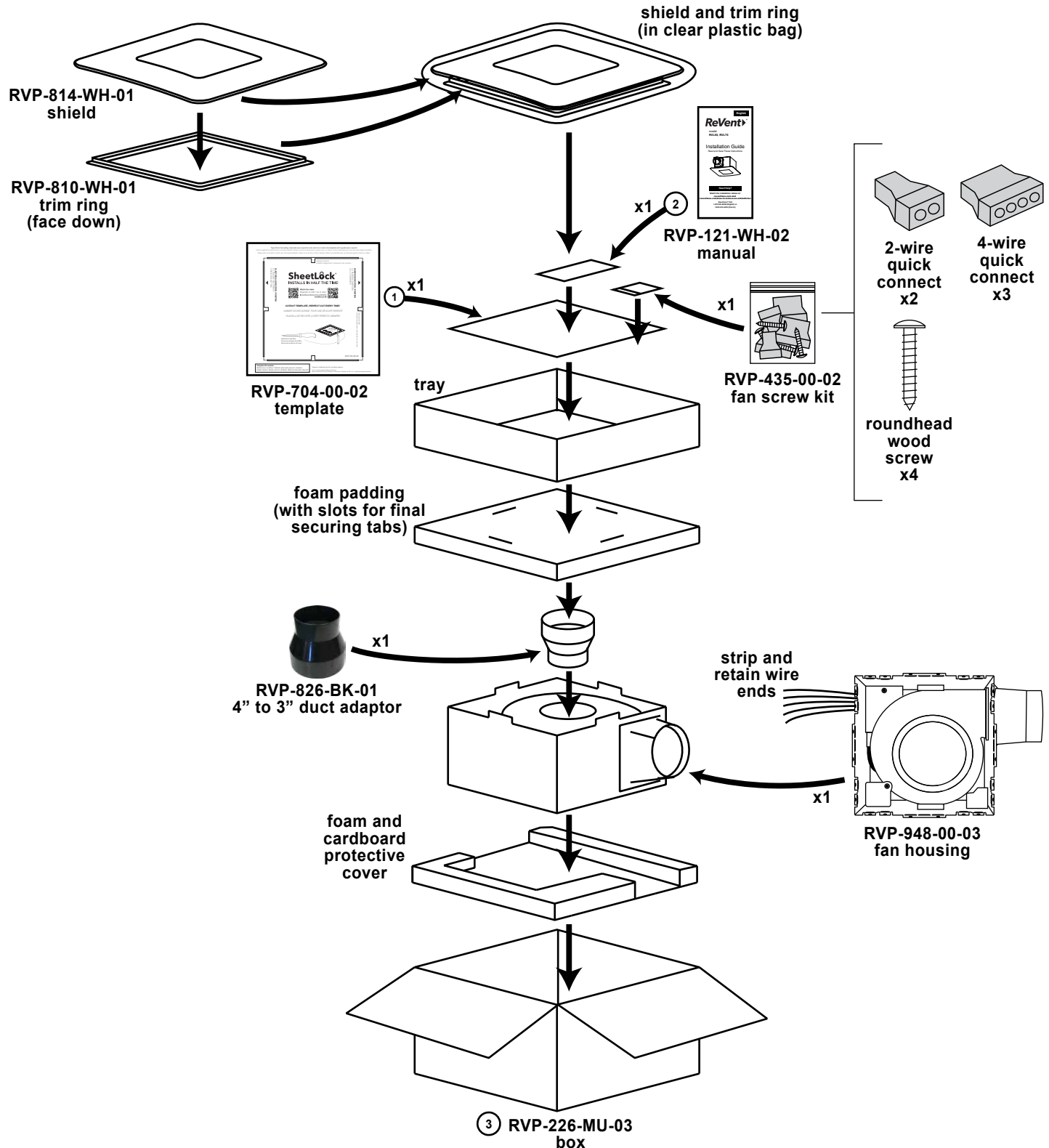


RVL50-D-02

rev:8-11-2022

Build-To Sheet



1: ReVent_50-70CFM_template_051821.ai

2: RVL50-70-D_manual_110121.ai

3: RVL50-D_box_112421.ai

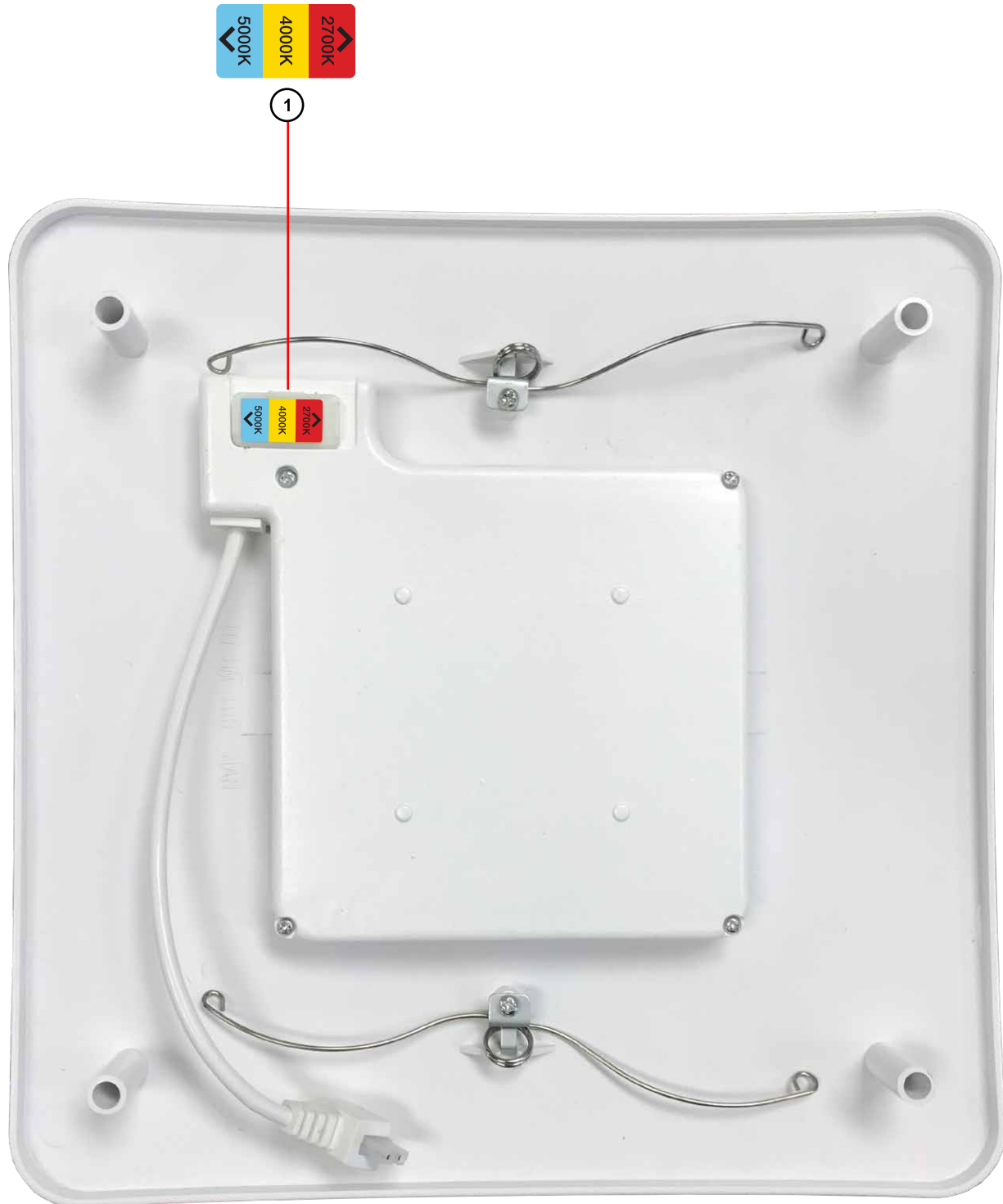
RVL50-D-02



RVP-226-MU-03
box
(shown closed and sealed)

RVP-814-WH-01

Label Placement (bottom of shield)



RVP-948-00-03

Label Placement

Date Code (YY-MM)

ReVent VENTILATION FAN
VENTILADOR

MODEL	DUCT	A	UL W	V	HZ	CFM	SONE	DATE
RVL50	3" 4"	0.27 0.27	22.9 22.6	120	60	50	0.5	20-09

- DISCONNECT POWER AT SERVICE ENTRANCE BEFORE CLEANING OR SERVICING
- SUITABLE FOR CEILING INSTALLATION OVER TUB OR SHOWER
- SUITABLE FOR WALL INSTALLATION IN INTERIOR WALL
- NOT FOR USE IN COOKING AREA
- THERMALLY PROTECTED
- SEE INSTALLATION INSTRUCTIONS

- DESCONECTE LA ALIMENTACIÓN EN LA ENTRADA DE SERVICIOS ANTES DE EMPRENDER TAREAS DE LIMPIEZA O DE MANTENIMIENTO
- APTO PARA INSTALAR POR ENCIMA DE LA BAÑERA O DUCHA
- APTO PARA INSTALAR EN PAREDES INTERIORES
- NO DEBE USARSE EN LA COCINA
- POSEE PROTECCIÓN TÉRMICA
- VER INSTRUCCIONES DE INSTALACIÓN

WARNING: Acceptable for use over a bathtub or shower when installed in a GFCI protected branch circuit.

CAUTION: To reduce the risk of injury to persons, install fan at least 2.5m (8.2 ft) above the floor. To reduce risk of fire and to properly exhaust air, be sure to duct air outside. DO NOT vent exhaust air into spaces within walls or ceilings or into attics, crawl spaces, or garages.

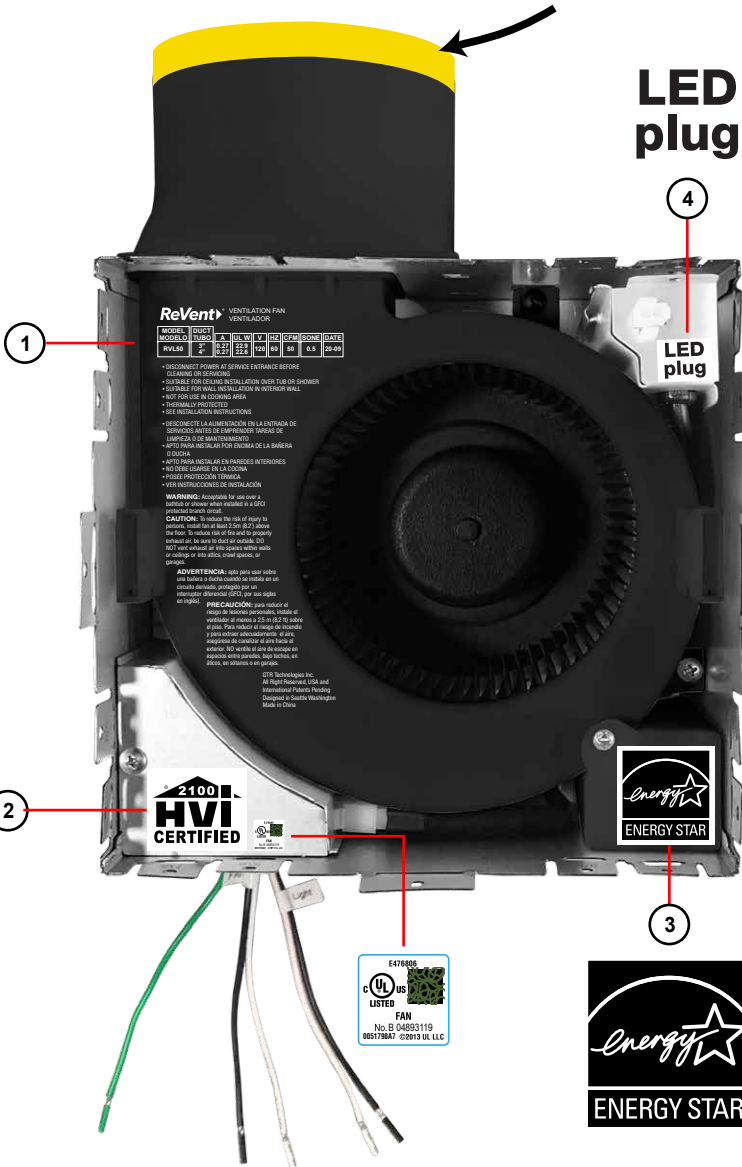
ADVERTENCIA: apto para usar sobre una bañera o ducha cuando se instala en un circuito derivado, protegido por un interruptor diferencial (GFCI, por sus siglas en inglés).

PRECAUCIÓN: para reducir el riesgo de lesiones personales, instale el ventilador al menos a 2,5 m (8,2 ft) sobre el piso. Para reducir el riesgo de incendio y para extraer adecuadamente el aire, asegúrese de canalizar el aire hacia el exterior. NO ventile el aire de escape en espacios entre paredes, bajo techos, en áticos, en sótanos o en garajes.

GTR Technologies Inc.
All Right Reserved, USA and
International Patents Pending
Designed in Seattle Washington
Made in China



RVP-829-YL-01
4" damper cover



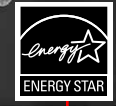
LED
plug

4

LED
plug



2



3



1: RVL50_laser_printing_110121.ai

2: hvi_label_120318.ai

3: energy_star_label_120318.ai

4: LED_plug_label_020720.ai

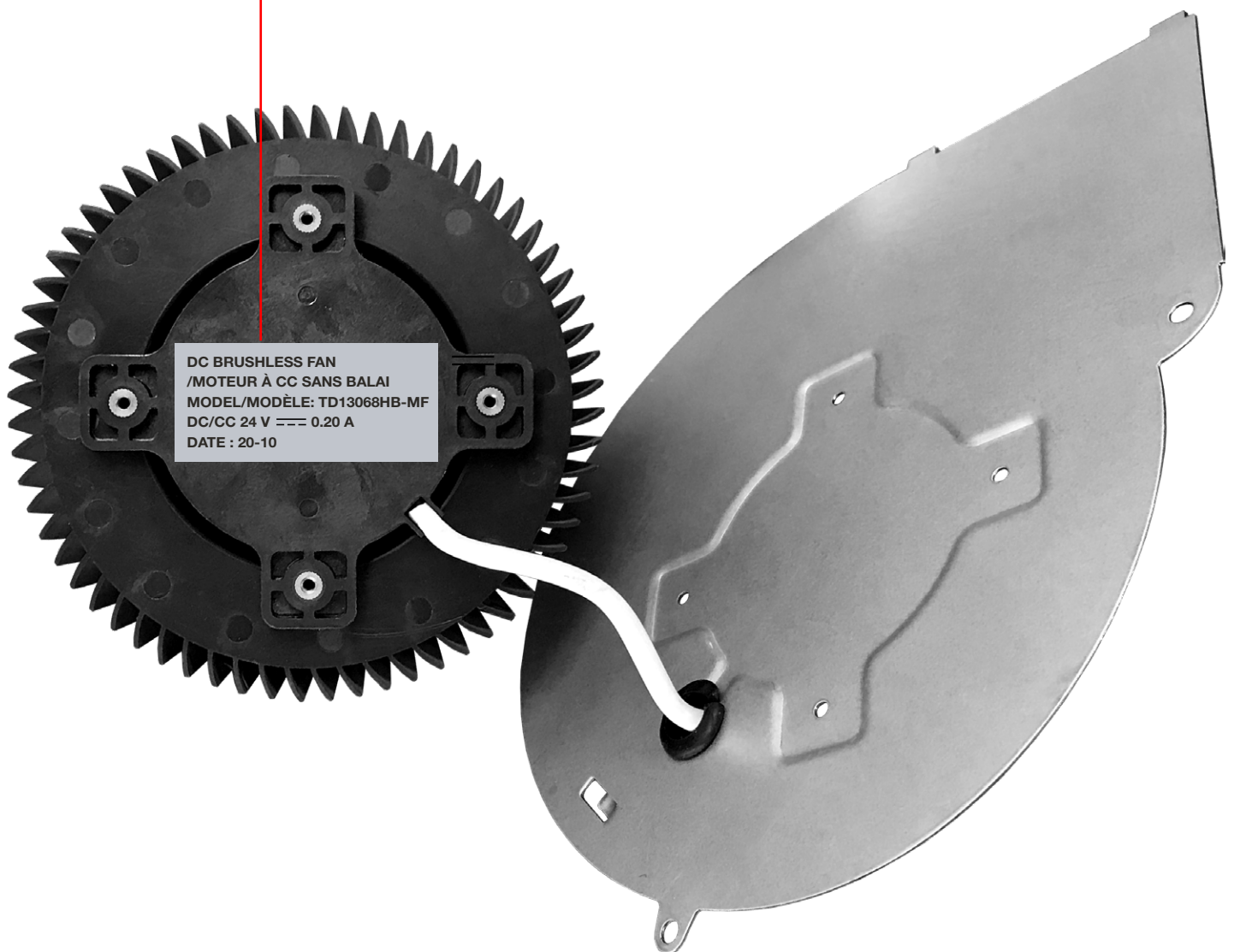
RVP-948-00-03

Label Placement (bottom of motor)

Date Code (YY-MM)

DC BRUSHLESS FAN
/MOTEUR À CC SANS BALAI
MODEL/MODÈLE: TD13068HB-MF
DC/CC 24 V \equiv 0.20 A
DATE : 20-10

①



REV LOG

REV DATE	MODEL/PART NO.	DISCRIPTION
5/18/2021	--	Original build
6/3/2021	RVL50-D-02	Corrected build-to overall part#, changed from RVL50-D to RVL50-D-02 (page 1-2)
7/6/2021	RVP-814-WH-01	Corrected shield part # (page 1)
	RVP-826-BK-01	Move location of duct adaptor to inside fan housing (page 1)
	RVP-948-00-01	Moved position of "LED plug" label to cover the enclosure hole (page 4)
	--	Updated foam and cardboard protective cover configuration + control box position (page 1)
8/12/2021	RVP-121-WH-01	Updated manual (corrected page # references in French section) (page 1)
8/16/2021	RVP-226-MU-01	Box file updated (added different specs for lighted models) (pages 1-2)
	RVP-121-WH-01	Updated manual (changed performance specs) (pages 1)
8/17/2021	RVP-226-MU-01	Box file updated (added different specs for lighted models) (pages 1-2)
	RVP-121-WH-01	Updated manual (changed performance specs) (pages 1)
9/15/2021	RVP-121-WH-01	Updated manual (corrected performance specs [Sone, W, CFM] to match HVI report and removed HVI *) (page 1)
	RVP-226-MU-01	Updated box (corrected performance specs [Sone, W, CFM] to match HVI report and removed HVI *) (page 1-2)
	RVP-948-00-01	Updated fan laser printing (corrected performance specs [Sone, W, CFM] to match HVI/UL reports) (page 4)
10/27/2021	RVP-121-WH-01	Updated manual (R40 changed to R-50, corrected performance specs [Sone, W, CFM] to match HVI report and removed HVI *, corrected FAQ) (page 1)
	RVP-226-MU-01	Updated box (R40 changed to R-50, added patent claim) (page 1-2)
11/1/2021	RVP-121-WH-02	Manual part # updated from -01 to -02 (page 1)
	RVP-435-00-02	Screw kit part # updated from -01 to -02 (page 1)
	RVP-226-MU-02	Updated box (added patent claim, added box part# to bottom of box) (page 1-2)
	RVP-948-00-02	Updated fan laser printing (changed "PRC" to "China") (page 4)
11/24/2021	RVP-226-MU-03	Corrected box (changed "x" to "to" on cm Duct dimensions on side of box) (page 1-2)
12/1/2021	RVP-948-00-03	Updated fan motor label (added French to make it generic with DC models) (page 5)
8/11/2022	RVP-814-WH-01	Changed shield part # from RVP-811-WH-01 to RVP-814-WH-01 to match correct shield for this model fan (this wasn't done before because of a mistake) (page 1)