

# ReVent®

## Ventilation Fans

**50 CFM**

### ReVent Ventilation Fan

**Model** - RVP50-ES

**Performance** - 50 CFM, 2.0 sonos



#### RVP50-ES REPLACES THESE COMMON MODELS WITH NO CUTTING

Manufacturer	Model	CFM	Sone
Broan	670	50	3.5
Broan	688	50	4
Broan	EO50	50	2.5
Air King	AS50	50	5.5
NuTone	696N	50	4
Nautilus	N671	70	6
Nautilus	N688	50	4
Broan	671	70	6
Broan	689	60	5.5
NuTone	693	60	4
NuTone	695	70	6

SPECIFICATIONS	Model	RVP50
	Exhaust Diameter	3 in (7.6 cm)
	Voltage (volts)	120V
	Frequency (hertz)	60Hz
	Power (watts)	8.2 W
	Air Flow at 0.1 CW	50 CFM
	Noise (sones)	2.0 Sones
	Grille Size	9 x 9 1/4 in (22.9 x 23.5 cm)
	Opening Length	7 1/4 in (18.4 cm)
	Opening Width	7 1/2 in (19.1 cm)
	Housing Length	7 1/4 in (18.4 cm)
Housing Width	7 1/2 in (19.1 cm)	
Housing Depth	3 3/4 in (9.5 cm)	

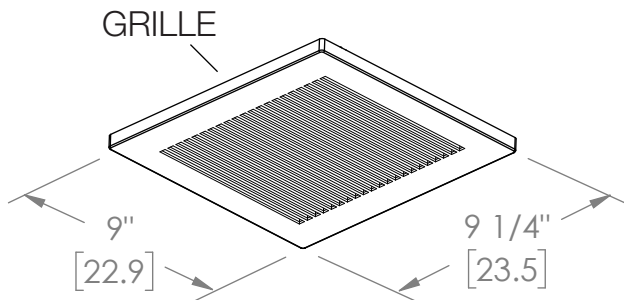
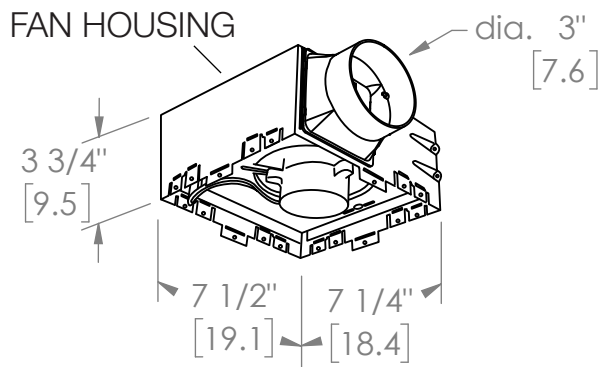
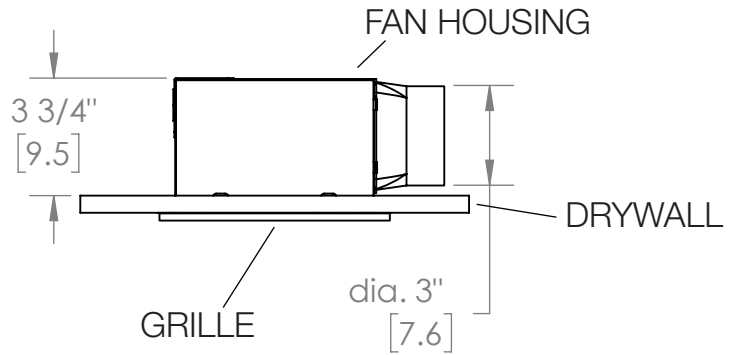
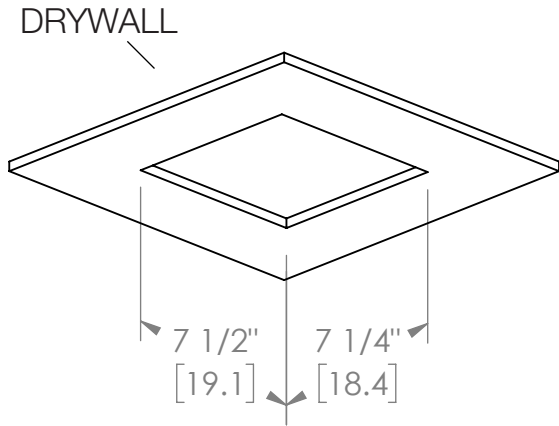
#### performance at 3" ducting

Static Pressure (in wg)	Airflow (cfm)	Sound (sones)	Energy (watts)	Duct Size
0.1	50	2.0	8.2	3 in
0.25	44		10.6	3 in

Product of GTR Technologies Inc. All rights reserved.  
USA and International Patents and Patents Pending  
See Patents at [www.ReVentfans.com](http://www.ReVentfans.com)

1-360-876-2974  
1420 Lumsden Road  
Port Orchard, WA 98367





**ReVent®**  
Ventilation Fans

THIS DRAWING IS THE PROPERTY OF GTR TECHNOLOGY INC. AND TRANSMITTED IN CONFIDENCE. THE REPRODUCTION, USE, OR DISCLOSURE, IN WHOLE OR IN PART, OF THE DESIGN AND DETAILS CONTAINED HEREIN IS PROHIBITED WITHOUT THE WRITTEN PERMISSION OF GTR TECHNOLOGY INC.

PART #  
**RVP50-ES**