

ReVent®

Ventilation Fans

110 CFM

ReVent Ventilation Fan

Model - RVS110



Performance - High airflow 110 CFM, low sound 0.9 sone

Contractor 4-Packs -
Rough In RVS110-4PR
Finish RVS110-4PF

ReVent with LED Lighting

Model - RVL110



Performance - High airflow 110 CFM, low sound 0.8 sone

LED - Adjustable 2700/3000/3500 /4000/5000K, 1000L, dimmable


ReVent with Humidity Sensing

Model - RVSH110



Performance - High airflow 110 CFM, low sound 0.9 sone

Humidity - Automatically turns fan on when moisture is present and off when dry 

Min/Hour Timer - Can be set 0-60 minutes, runs fan for set time every hour 

ReVent with LED Lighting and Humidity Sensing

Model - RVLH110



Performance - High airflow 110 CFM, low sound 0.8 sone

LED - Adjustable 2700/3000/3500 /4000/5000K, 1000L, dimmable

Humidity - Automatically turns fan on when moisture is present and off when dry 

Min/Hour Timer - Can be set 0-60 minutes, runs fan for set time every hour 

SPECIFICATIONS	Models	RVS110, RVL110, RVSH110, RVLH110
	Exhaust Diameter	4 in (10.2 cm)
	Voltage (volts)	120V
	Frequency (hertz)	60Hz
	Power (watts)	28.6W (non-lighting), 28.5 W (lighting)
	Air Flow at 0.1 CW	110 CFM
	Noise (sones)	0.9 Sone (non-lighting), 0.8 Sone (lighting)
	Shield Size	12 5/8 x 12 5/8 in (32.1 x 32.1 cm)
	Opening Length	9 3/4 in (24.8 cm)
	Opening Width	9 1/2 in (24.1 cm)
	Housing Length	9 3/4 in (24.8 cm)
Housing Width	9 1/2 in (24.1 cm)	
Housing Depth	6 3/8 in (16.2 cm)	

LIGHTING MODELS	
Models	RVL110, RVLH110
Brightness (lumens)	1000L at 4000K
Color Temp (kelvin)	2700, 3000, 3500, 4000, or 5000K
Power (watts)	13W

performance at 4" ducting

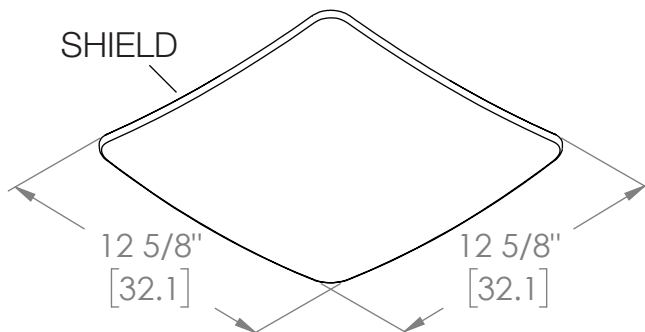
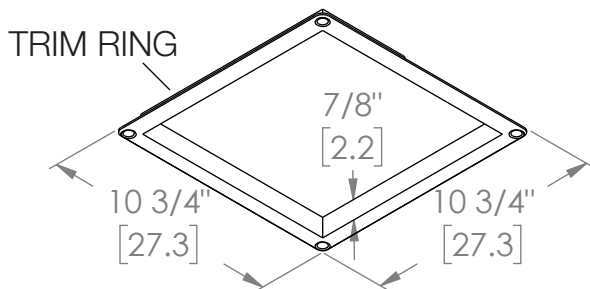
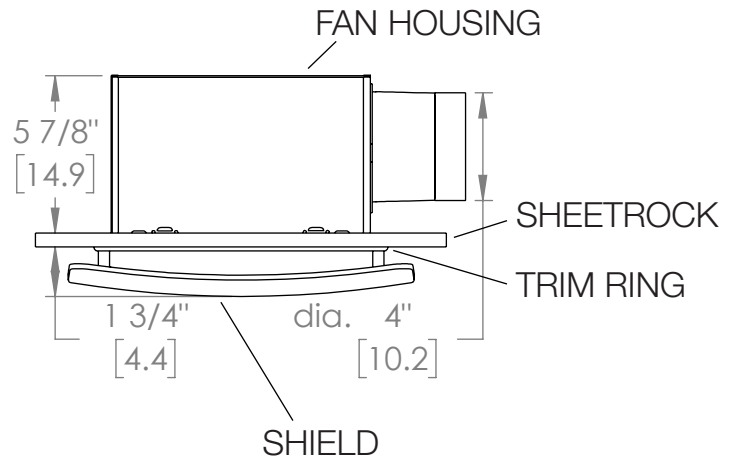
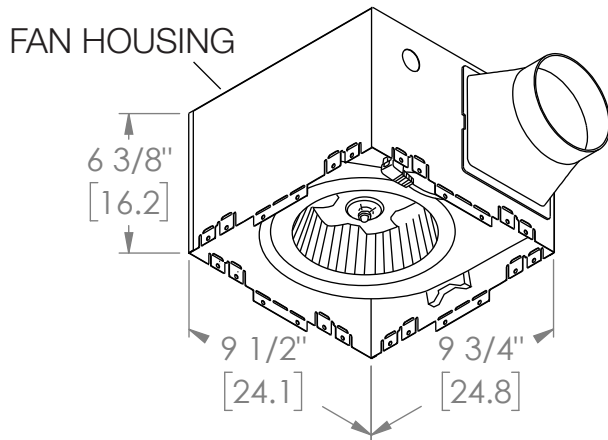
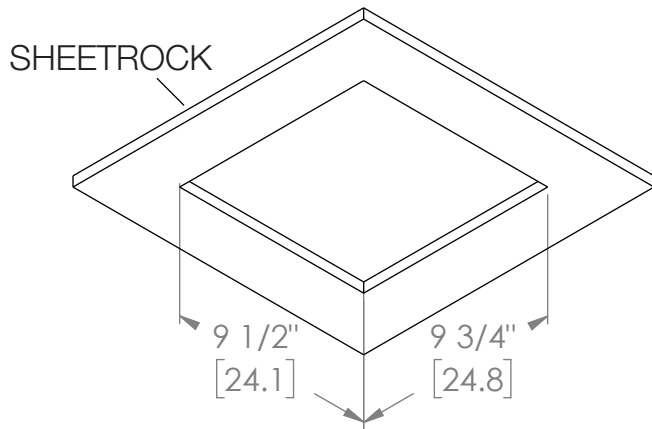
Static Pressure (in wg)	Airflow (cfm)	Sound (sones)	Energy (watts)	Duct Size
RVS110, RVSH110				
0.1	110	0.9	28.6	4 in
0.25	95		28	4 in
RVL110, RVLH110				
0.1	110	0.8	28.5	4 in
0.25	95		28	4 in

Product of GTR Technologies Inc. All rights reserved.
USA and International Patents and Patents Pending
See Patents at www.ReVentfans.com

1-360-876-2974
1420 Lumsden Road
Port Orchard, WA 98367

May be used to comply with





ReVent®
Ventilation Fans

THIS DRAWING IS THE PROPERTY OF GTR TECHNOLOGY INC. AND TRANSMITTED IN CONFIDENCE. THE REPRODUCTION, USE, OR DISCLOSURE, IN WHOLE OR IN PART, OF THE DESIGN AND DETAILS CONTAINED HEREIN IS PROHIBITED WITHOUT THE WRITTEN PERMISSION OF GTR TECHNOLOGY INC.

PART #

**RVS110, RVL110,
RVSH110, RVLH110**

Model: RVS110-4PR

Contractor Pack: Rough In Pack

Packaging - Box of 4



4 - Fan Housings



4 - Paint and Texture Mask



4 - Mounting Bracket Sets



4 - 4" to 6" Duct Adaptors

Model: RVS110-4PF

Contractor Pack: Finish Pack

Packaging - Box of 4



4 - Shields, Trim Rings, Motors



4 - Manuals



4 - Screw Kits



4 - Shields



4 - Motors