

ReVent®

Ventilation Fans

130 CFM

ReVent Ventilation Fan

Model - RVS130

Performance - High airflow 130 CFM, low sound 0.9 sone



ReVent with LED Lighting

Model - RVL130

Performance - High airflow 130 CFM, low sound 0.9 sone

LED - Adjustable 2700/3000/3500 /4000/5000K, 1000L, dimmable



ReVent with Humidity Sensing

Model - RVSH130

Performance - High airflow 130 CFM, low sound 0.9 sone

Humidity - Automatically turns fan on when moisture is present and off when dry

Min/Hour Timer - Can be set 0-60 minutes, runs fan for set time every hour



ReVent with LED Lighting and Humidity Sensing

Model - RVLH130

Performance - High airflow 130 CFM, low sound 0.9 sone

LED - Adjustable 2700/3000/3500 /4000/5000K, 1000L, dimmable

Humidity - Automatically turns fan on when moisture is present and off when dry

Min/Hour Timer - Can be set 0-60 minutes, runs fan for set time every hour



SPECIFICATIONS	Models	RVS130, RVL130, RVSH130, RVLH130
	Exhaust Diameter	6 in (15.24 cm)
	Voltage (volts)	120V
	Frequency (hertz)	60Hz
	Power (watts)	32.2W
	Air Flow at 0.1 CW	130 CFM
	Noise (sones)	0.9 Sone (non-lighting), 0.8 Sone (lighting)
	Shield Size	13 3/8" x 13 3/8" in (34 x 34 cm)
	Opening Length	10 1/2" in (26.7 cm)
	Opening Width	10 1/2" in (26.7 cm)
	Housing Length	10 1/2" in (26.7 cm)
Housing Width	10 1/2" in (26.7 cm)	
Housing Depth	6 3/4" in (17.1 cm)	

LIGHTING MODELS	
Models	RVL130, RVLH130
Brightness (lumens)	1000L at 4000K
Color Temp (kelvin)	2700, 3000, 3500, 4000, or 5000K
Power (watts)	13W

performance at 6" ducting

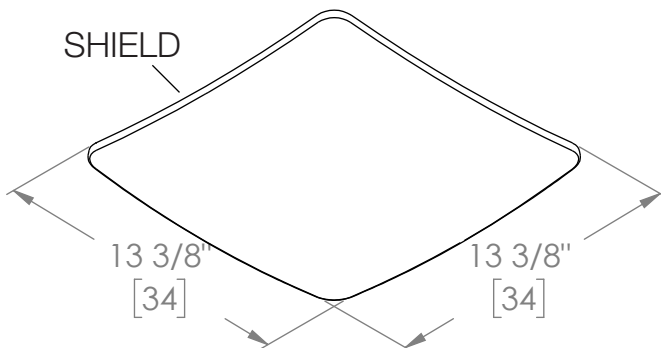
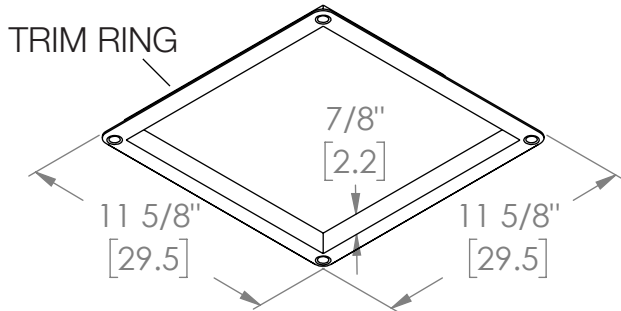
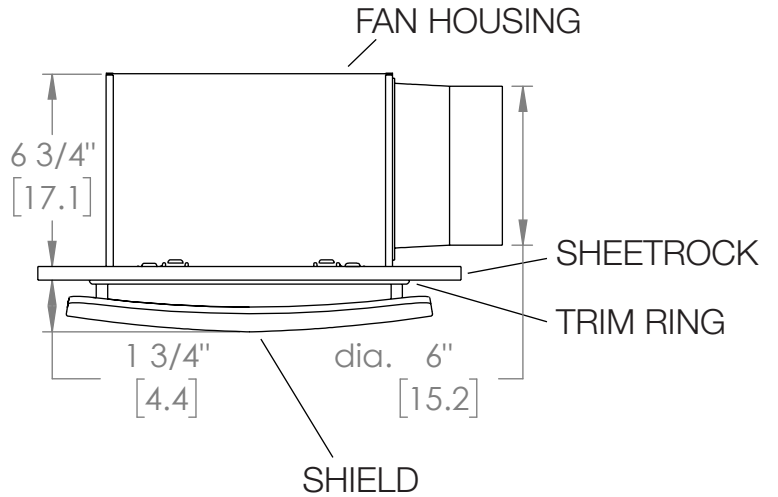
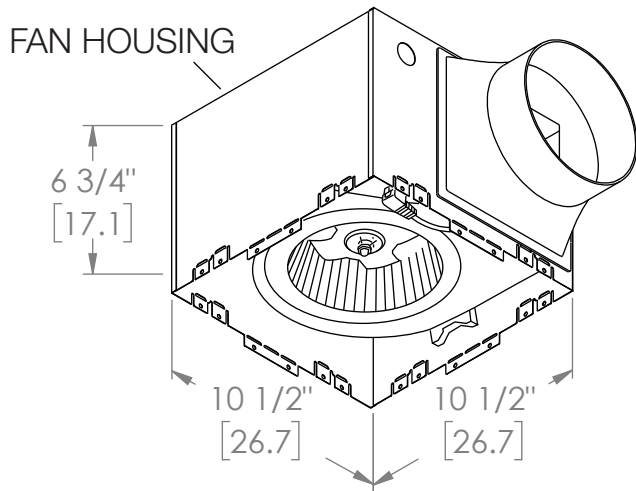
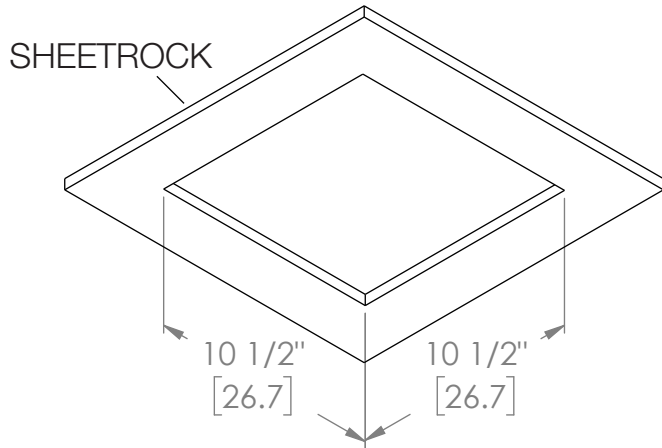
Static Pressure (in wg)	Airflow (cfm)	Sound (sones)	Energy (watts)	Duct Size
RVS130, RVSH130				
0.1	130	0.9	32.2	6 in
0.25	91		30.8	6 in
RVL130, RVLH130				
0.1	130	0.8	32.2	6 in
0.25	93		30.9	6 in

Product of GTR Technologies Inc. All rights reserved.
USA and International Patents and Patents Pending
See Patents at www.ReVentfans.com

1-360-876-2974
1420 Lumsden Road
Port Orchard, WA 98367

May be used to comply with





ReVent®
Ventilation Fans

THIS DRAWING IS THE PROPERTY OF GTR TECHNOLOGY INC. AND TRANSMITTED IN CONFIDENCE. THE REPRODUCTION, USE, OR DISCLOSURE, IN WHOLE OR IN PART, OF THE DESIGN AND DETAILS CONTAINED HEREIN IS PROHIBITED WITHOUT THE WRITTEN PERMISSION OF GTR TECHNOLOGY INC.

PART #
**RVS130, RVL130,
RVSH130, RVLH130**