

# ReVent®

## Ventilation Fans

# 80 CFM

### ReVent Ventilation Fan

**Model** - RVS80



**Performance** - High airflow 80 CFM, low sound 0.7 sones

**Contractor 4-Packs** -  
Rough In RVS80-4PR  
Finish RVS80-4PF

### ReVent with LED Lighting

**Model** - RVL80



**Performance** - High airflow 80 CFM, low sound 0.8 sones

**LED** - Adjustable 2700/3000/3500 /4000/5000K, 1000L, dimmable


### ReVent with Humidity Sensing

**Model** - RVSH80



**Performance** - High airflow 80 CFM, low sound 0.7 sones

**Humidity** - Automatically turns fan on when moisture is present and off when dry 

**Min/Hour Timer** - Can be set 0-60 minutes, runs fan for set time every hour 

### ReVent with LED Lighting and Humidity Sensing

**Model** - RVLH80



**Performance** - High airflow 80 CFM, low sound 0.8 sones

**LED** - Adjustable 2700/3000/3500 /4000/5000K, 1000L, dimmable

**Humidity** - Automatically turns fan on when moisture is present and off when dry 

**Min/Hour Timer** - Can be set 0-60 minutes, runs fan for set time every hour 

SPECIFICATIONS	Models	RVS80, RVL80, RVSH80, RVLH80
	Exhaust Diameter	4 in (10.2 cm)
	Voltage (volts)	120V
	Frequency (hertz)	60Hz
	Power (watts)	19.9 W (non-lighting), 20 W (lighting)
	Air Flow at 0.1 CW	80 CFM
	Noise (sones)	0.7 Sones (non-lighting), 0.8 Sones (lighting)
	Shield Size	11 x 11 in (27.9 x 27.9 cm)
	Opening Length	8 3/8 in (21.3 cm)
	Opening Width	7 7/8 in (20 cm)
	Housing Length	8 3/8 in (21.3 cm)
Housing Width	7 7/8 in (20 cm)	
Housing Depth	5 1/8 in (13 cm)	

LIGHTING MODELS	
Models	RVL80, RVLH80
Brightness (lumens)	1000L at 4000K
Color Temp (kelvin)	2700, 3000, 3500, 4000, or 5000K
Power (watts)	13W

### performance at 4" ducting

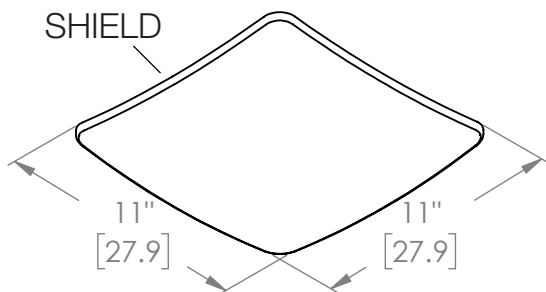
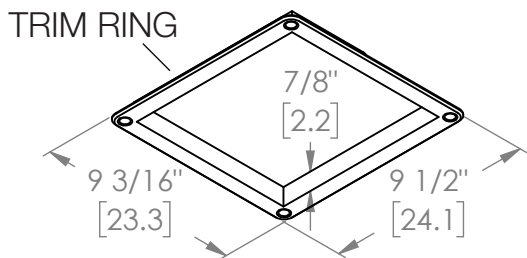
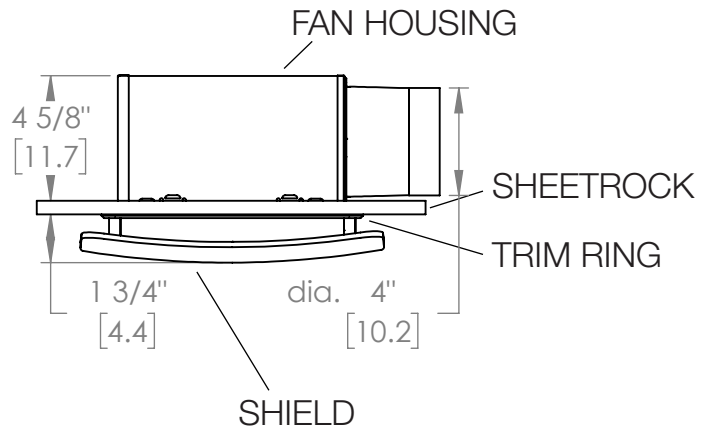
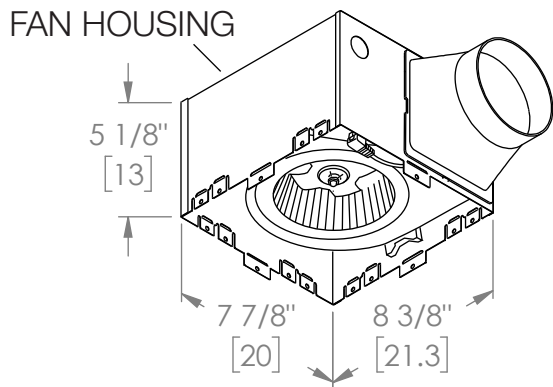
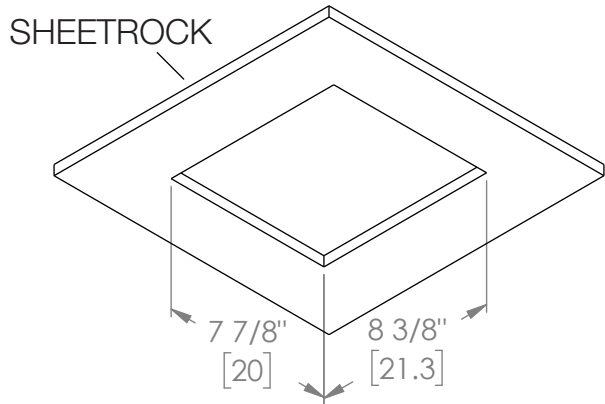
Static Pressure (in wg)	Airflow (cfm)	Sound (sones)	Energy (watts)	Duct Size
<b>RVS80, RVSH80</b>				
0.1	80	0.7	19.9	4 in
0.25	63		19.6	4 in
<b>RVL80, RVLH80</b>				
0.1	80	0.8	20	4 in
0.25	63		19.5	4 in

Product of GTR Technologies Inc. All rights reserved.  
USA and International Patents and Patents Pending  
See Patents at [www.ReVentfans.com](http://www.ReVentfans.com)

1-360-876-2974  
1420 Lumsden Road  
Port Orchard, WA 98367

May be used to comply with





**ReVent®**  
Ventilation Fans

THIS DRAWING IS THE PROPERTY OF GTR TECHNOLOGY INC. AND TRANSMITTED IN CONFIDENCE. THE REPRODUCTION, USE, OR DISCLOSURE, IN WHOLE OR IN PART, OF THE DESIGN AND DETAILS CONTAINED HEREIN IS PROHIBITED WITHOUT THE WRITTEN PERMISSION OF GTR TECHNOLOGY INC.

PART #  
**RVS80, RVL80,  
RVSH80, RVLH80**

# Model: RVS80-4PR

## Contractor Pack: Rough In Pack

Packaging - Box of 4



4 - Fan Housings



4 - Paint and Texture Masks



4 - Mounting Bracket Sets



4 - 4" to 6" Duct Adaptors

# Model: RVS80-4PF

## Contractor Pack: Finish Pack

Packaging - Box of 4



4 - Shields, Trim Rings, Motors



4 - Manuals



4 - Screw Kits



4 - Shields



4 - Motors