

ReVent®

Ventilation Fans

80/110 CFM

ReVent Heater Ventilation Fan with Light

Model - RVHL80110

Performance - 80/110 CFM, 0.8/1.4 sones



SPECIFICATIONS	Model	RVHL80110
	Exhaust Diameter	4 in (10.2 cm)
	Voltage (volts)	120V
	Frequency (hertz)	60Hz
	Power (watts)	17.7/23.6 W (Heater 1300 W)
	Air Flow at 0.1 CW	80/110 CFM
	Noise (sones)	0.8/1.4 Sones
	Shield Size	18 x 11 1/2 in (45.7 x 29.2 cm)
	Opening Length	15 3/4 in (40 cm)
	Opening Width	9 in (22.7 cm)
	Housing Length	15 1/2 in (39.4 cm)
Housing Width	8 3/4 in (22.2 cm)	
Housing Depth	6 3/4 in (17.2 cm)	

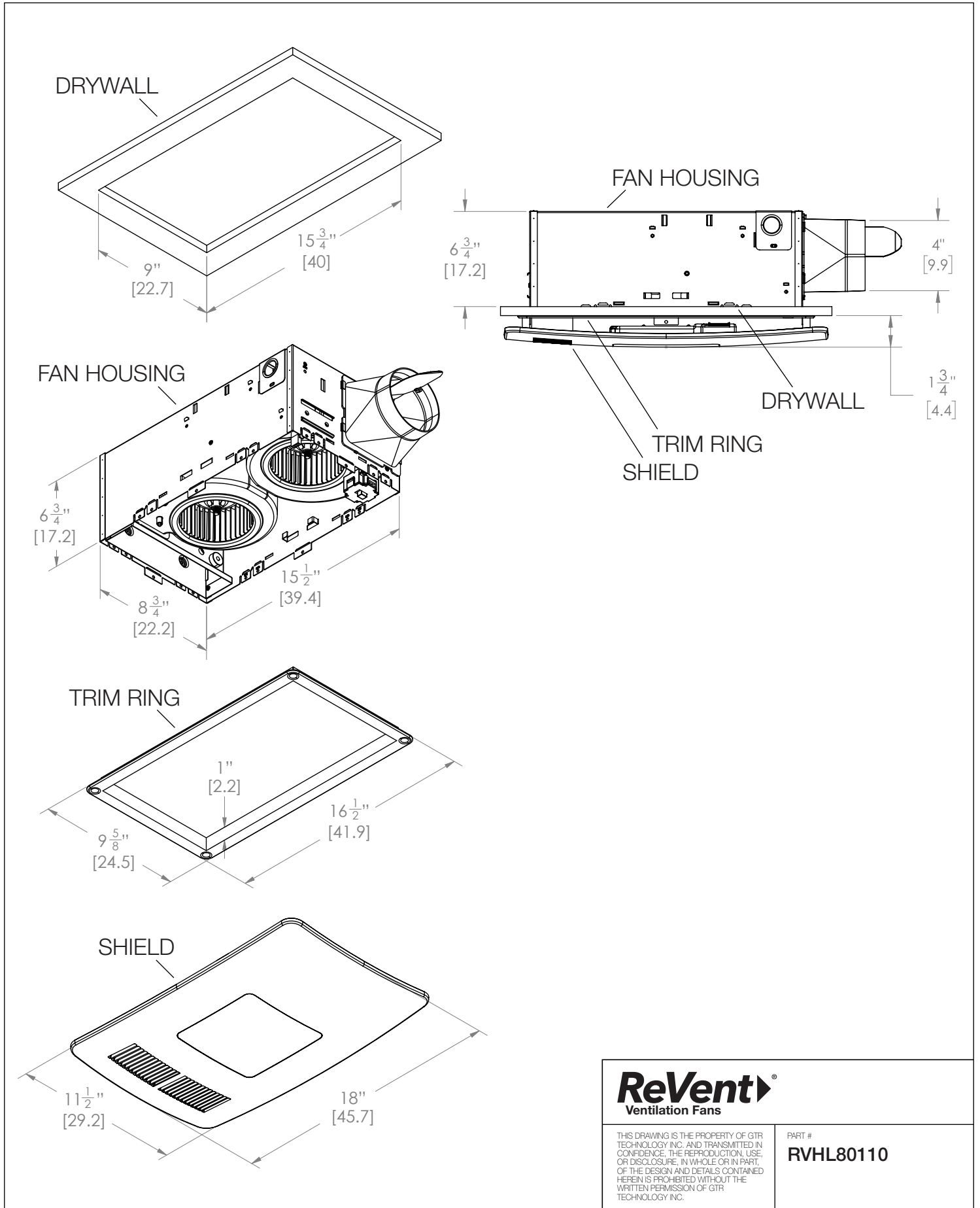
LIGHTING	
Brightness (lumens)	1000L at 4000K
Color Temp (kelvin)	2700, 3000, 3500, 4000, or 5000K
Power (watts)	13W

performance at 4" ducting				
Static Pressure (in wg)	Airflow (cfm)	Sound (sones)	Energy (watts)	Duct Size
0.1	80	0.8	17.7	4 in
0.25	63		16.6	4 in
0.1	110	1.4	23.6	4 in
0.25	91		22.2	4 in

Product of GTR Technologies Inc. All rights reserved.
USA and International Patents and Patents Pending
See Patents at www.ReVentfans.com

1-360-876-2974
1420 Lumsden Road
Port Orchard, WA 98367

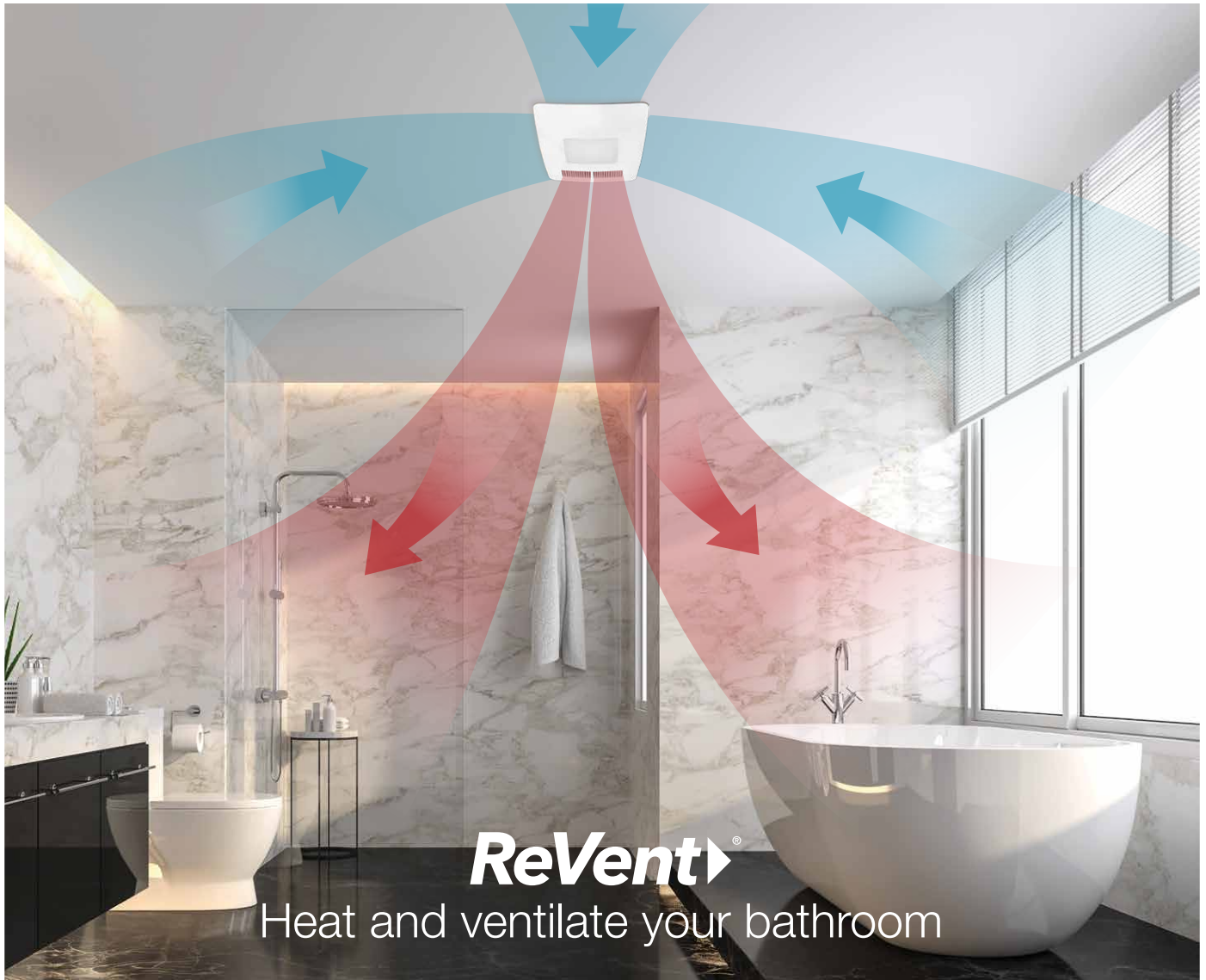




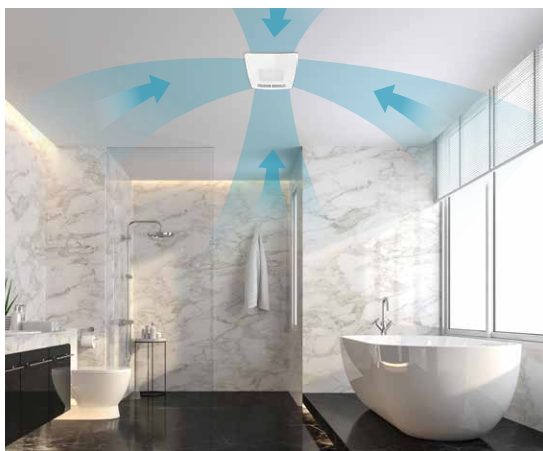
ReVent®
Ventilation Fans

THIS DRAWING IS THE PROPERTY OF GTR TECHNOLOGY INC. AND TRANSMITTED IN CONFIDENCE. THE REPRODUCTION, USE, OR DISCLOSURE, IN WHOLE OR IN PART, OF THE DESIGN AND DETAILS CONTAINED HEREIN IS PROHIBITED WITHOUT THE WRITTEN PERMISSION OF GTR TECHNOLOGY INC.

PART #
RVHL80110



Heating and ventilation working together to make your bathroom experience the best part of starting your day



Bathroom Ventilation

Stale or humid air is pulled in around the ReVent StayClean™ shield then exhausted out the of house through the vent pipe system.



Bathroom Heating

Heated air is blown down into the room, this starts an even temperature process called convection heating. ReVent's bathroom heater can raise the temperature of an average bathroom 5°F in just 5 minutes.