

ReVent®

Ventilation Fans

80 CFM

ReVent Smartphone Connected Fan

Model - RVM80

Performance - High airflow
80 CFM, low sound 0.9 sones

Use **Siri** or **Google Assistant** to:

- Stream music, podcast, e-book
- Make or take a call
- Text a friend
- Traffic, weather



Bluetooth®
Speaker

New ways to use your bath fan with ReVent

With ReVent's speaker and microphone, your fan now has voice commands and can do everything your phone can do.

- Listen to your favorite music, news, podcast, e-book
- Make or take a call
- Text a friend
- Add to your calendar
- Weather, traffic, or just ask your phone's assistant to answer a question
- Works with Android and Apple phones



Fan & Music
Control Included

SPECIFICATIONS	Models	RVM80
	Exhaust Diameter	4 in (10.2 cm)
	Voltage (volts)	120V
	Frequency (hertz)	60Hz
	Power (watts)	20.5W
	Air Flow at 0.1 CW	80 CFM
	Noise (sones)	0.9 Sones
	Shield Size	11 x 11 in (27.9 x 27.9 cm)
	Opening Length	8 3/8 in (21.3 cm)
	Opening Width	7 7/8 in (20 cm)
	Housing Length	8 3/8 in (21.3 cm)
Housing Width	7 7/8 in (20 cm)	
Housing Depth	6 3/8 in (16.2 cm)	

performance at 4" ducting

Static Pressure (in wg)	Airflow (cfm)	Sound (sones)	Energy (watts)	Duct Size
0.1	80	0.9	20.5	4 in
0.25	63		20.2	4 in



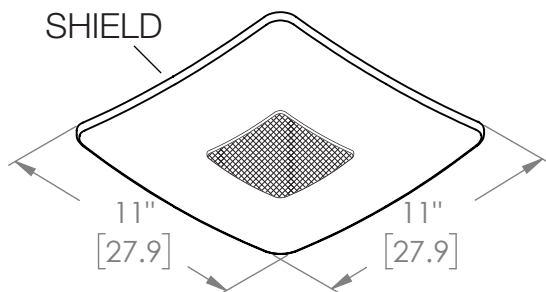
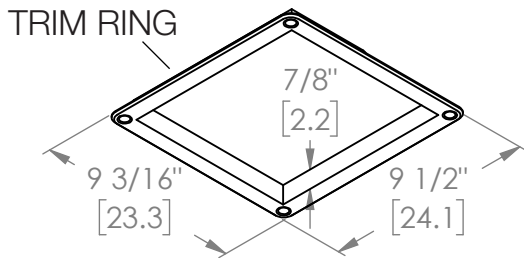
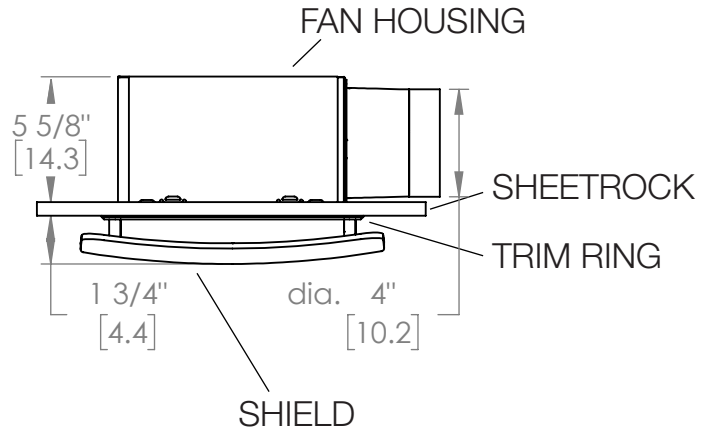
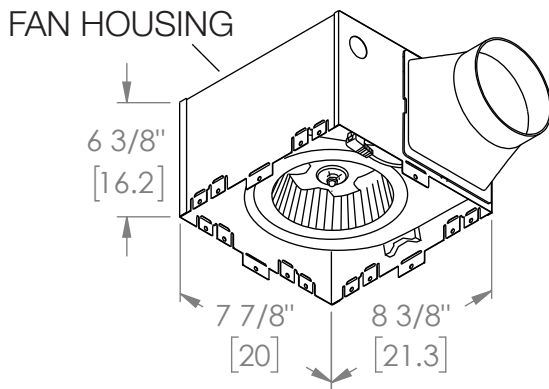
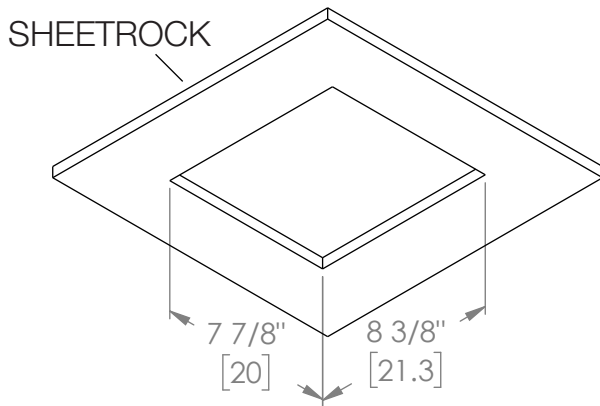
and more...

Product of GTR Technologies Inc. All rights reserved.
USA and International Patents and Patents Pending
See Patents at www.ReVentfans.com

1-360-876-2974
1420 Lumsden Road
Port Orchard, WA 98367

May be used
to comply with





ReVent®
Ventilation Fans

THIS DRAWING IS THE PROPERTY OF GTR TECHNOLOGY INC. AND TRANSMITTED IN CONFIDENCE. THE REPRODUCTION, USE, OR DISCLOSURE, IN WHOLE OR IN PART, OF THE DESIGN AND DETAILS CONTAINED HEREIN IS PROHIBITED WITHOUT THE WRITTEN PERMISSION OF GTR TECHNOLOGY INC.

PART #
RVM80