

ReVent®

Ventilation Fans

80 CFM

ReVent Noise Canceling Privacy Bath Fan

Model - RVPR80

Performance - 80 CFM, 0.8 sones



SPECIFICATIONS	Models	RVPR80
	Exhaust Diameter	4 in (10.2 cm)
	Voltage (volts)	120V
	Frequency (hertz)	60Hz
	Power (watts)	20 W
	Air Flow at 0.1 CW	80 CFM
	Noise (sones)	0.8 Sones
	Shield Size	11 x 11 in (27.9 x 27.9 cm)
	Opening Length	8 3/8 in (21.3 cm)
	Opening Width	7 7/8 in (20 cm)
	Housing Length	8 3/8 in (21.3 cm)
Housing Width	7 7/8 in (20 cm)	
Housing Depth	5 1/8 in (13 cm)	

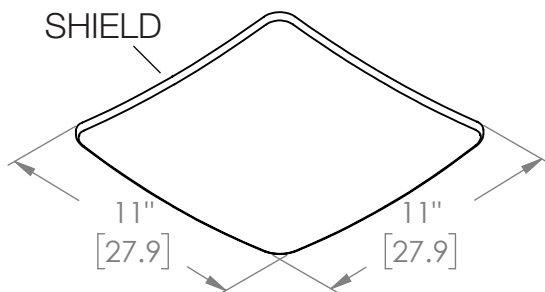
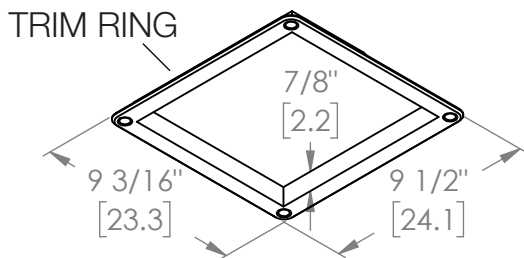
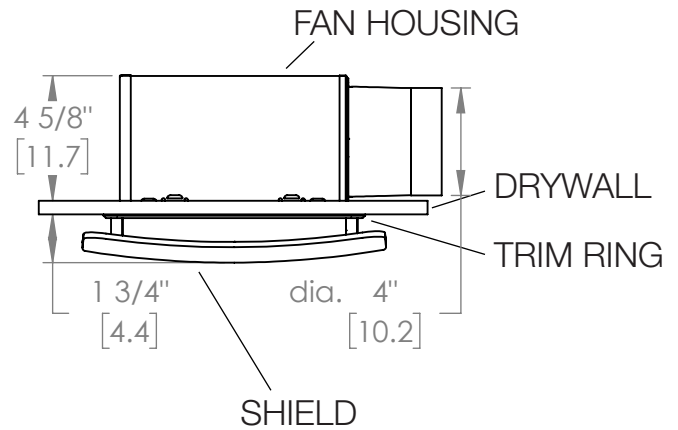
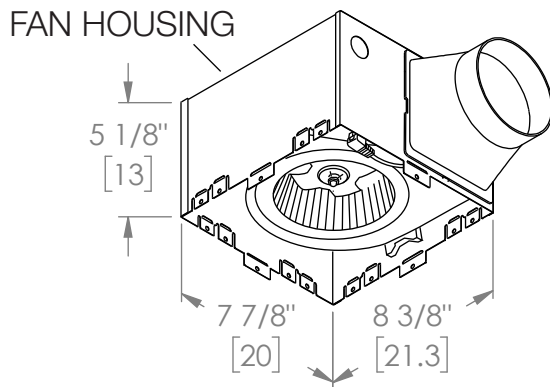
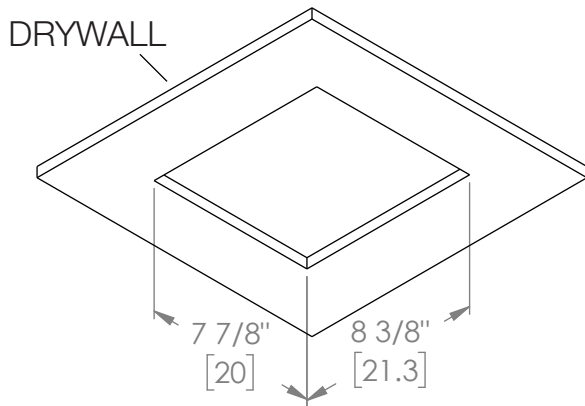
performance at 4" ducting

Static Pressure (in wg)	Airflow (cfm)	Sound (sones)	Energy (watts)	Duct Size
0.1	80	0.8	20	4 in
0.25	63		19.6	4 in

Product of GTR Technologies Inc. All rights reserved.
USA and International Patents and Patents Pending
See Patents at www.ReVentfans.com

1-360-876-2974
1420 Lumsden Road
Port Orchard, WA 98367





ReVent®
Ventilation Fans

THIS DRAWING IS THE PROPERTY OF GTR TECHNOLOGY INC. AND TRANSMITTED IN CONFIDENCE. THE REPRODUCTION, USE, OR DISCLOSURE, IN WHOLE OR IN PART, OF THE DESIGN AND DETAILS CONTAINED HEREIN IS PROHIBITED WITHOUT THE WRITTEN PERMISSION OF GTR TECHNOLOGY INC.

PART #
RVPR80