

ReVent®

Ventilation Fans

50/80 CFM

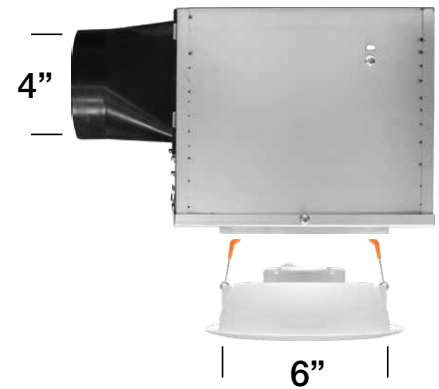
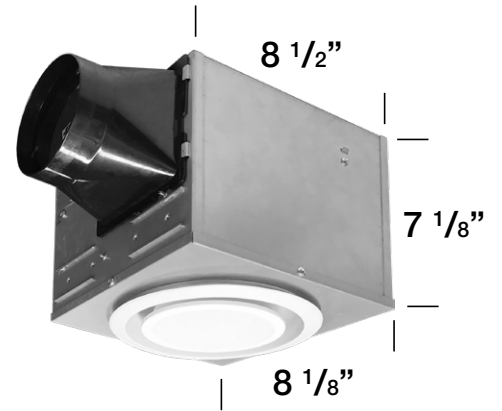
ReVent Recessed Ventilation Fan with Light

Model - RVRL5080

Performance - 50/80 CFM, <0.3/0.9 sones



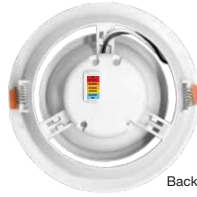
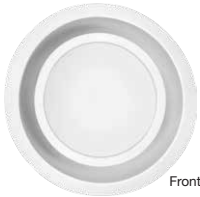
6"



The Fan That Looks Like A Light

Color Temperature Selectable Switch

Quick Easy Mounting Clips



SPECIFICATIONS	Model	RVRL5080
	Exhaust Diameter	4 in (10.2 cm)
	Voltage (volts)	120V
	Frequency (hertz)	60Hz
	Power (watts)	19.2/25.2 W
	Air Flow at 0.1 CW	80 CFM
	Noise (sones)	<0.3/0.9 Sones
	Opening Size	6 in (15.2 cm)
	Housing Length	8 1/2 in (21.6 cm)
	Housing Width	8 1/8 in (20.6 cm)
Housing Depth	7 1/8 in (18.1 cm)	

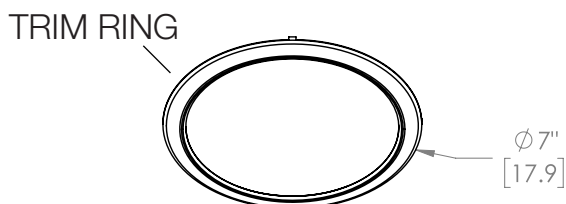
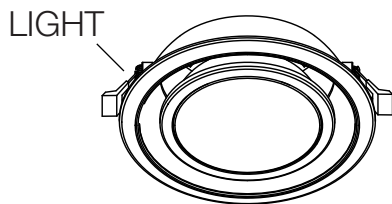
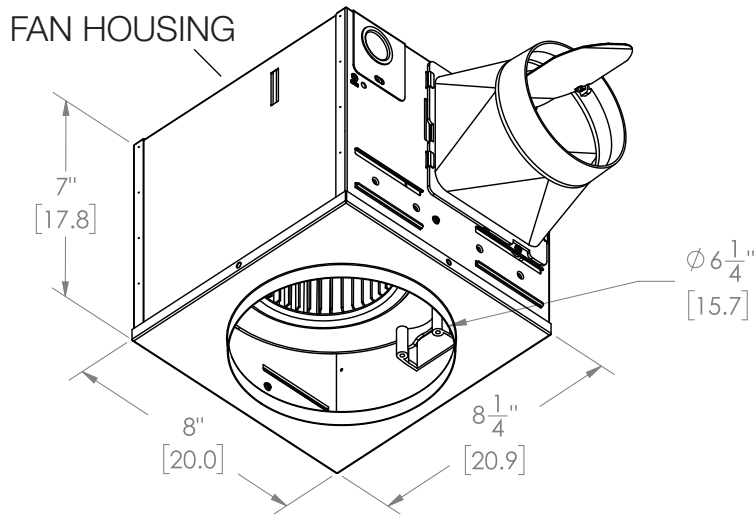
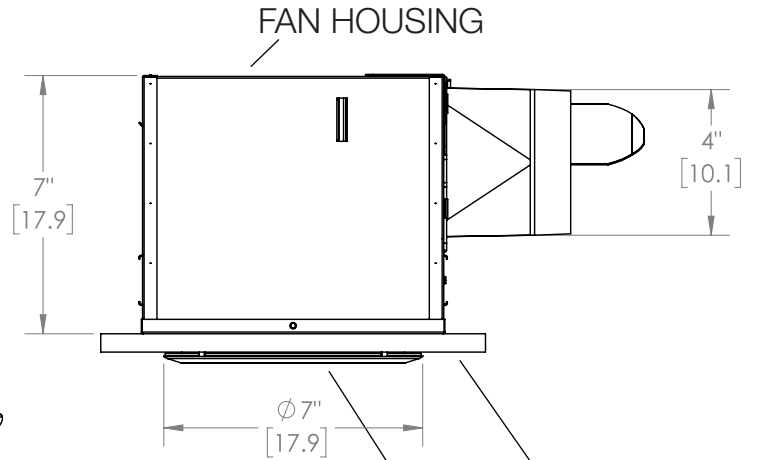
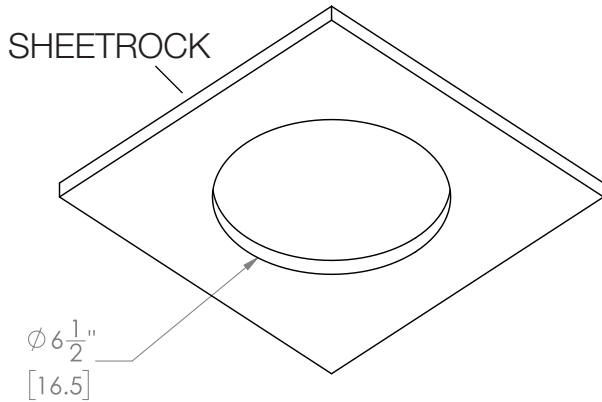
LIGHTING	
Brightness (lumens)	900L at 4000K
Color Temp (kelvin)	2700, 3000, 3500, 4000, or 5000K
Power (watts)	13W

performance at 4" ducting				
Static Pressure (in wg)	Airflow (cfm)	Sound (sones)	Energy (watts)	Duct Size
0.1	50	<0.3	19.2	4 in
0.25	35		18.2	4 in
0.1	80	0.9	25.2	4 in
0.25	62		24.4	4 in

Product of GTR Technologies Inc. All rights reserved.
USA and International Patents and Patents Pending
See Patents at www.ReVentfans.com

1-360-876-2974
1420 Lumsden Road
Port Orchard, WA 98367





ReVent®
Ventilation Fans

THIS DRAWING IS THE PROPERTY OF GTR TECHNOLOGY INC. AND TRANSMITTED IN CONFIDENCE. THE REPRODUCTION, USE, OR DISCLOSURE, IN WHOLE OR IN PART, OF THE DESIGN AND DETAILS CONTAINED HEREIN IS PROHIBITED WITHOUT THE WRITTEN PERMISSION OF GTR TECHNOLOGY INC.

PART #
RVRL5080